

Seco

440-465w

High efficiency bifacial modules

PERC

182mm

● **PERC MODULE ADVANTAGE**



Less mismatch to get more power



Less power loss by minimizing the shading impact



Excellent low-light performance



Low BOS and LCOE



3 times EL test to ensure best quality



Superior load capacity
2400 Pa wind load & 5400 Pa snow load

● **QUALITY SYSTEM**

ISO9001 / ISO14001 / ISO45001

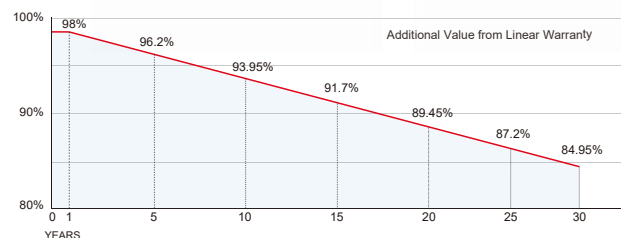
● **PRODUCT CERTIFICATION**



● **INSURANCE**



● **WARRANTY**



Guarantee on product material and workmanship



Linear power output warranty



Mechanical Specifications

External Dimension	1909 x 1134 x 30 mm
Weight	27.3 kg
Solar Cells	PERC Mono crystalline(120 pcs)
Front / Back Glass	2.0mm AR coating semi-tempered glass, low iron
Frame	Anodized aluminium alloy
Junction Box	IP68, 3 diodes
Output Cables	4.0mm ² , 250mm(+)/350mm(-) or Customized Length

Packing Configuration

Container	20'GP	40'HQ
Pieces per Pallet	36	36
Pallets per Container	5	24
Pieces per Container	180	864

Electrical Characteristics

Module Type	SRP-440-BMB-BG		SRP-445-BMB-BG		SRP-450-BMB-BG		SRP-455-BMB-BG		SRP-460-BMB-BG		SRP-465-BMB-BG	
	Front STC	Front BNPI	Front STC	Front BNPI	Front STC	Front BNPI	Front STC	Front BNPI	Front STC	Front BNPI	Front STC	Front BNPI
Maximum Power -P _{mp} (W)	440	482	445	487	450	493	455	498	460	503	465	509
Open Circuit Voltage -V _{oc} (V)	41.12	41.32	41.22	41.42	41.32	41.52	41.42	41.62	41.52	41.72	41.62	41.82
Short Circuit Current -I _{sc} (A)	13.56	14.84	13.66	14.95	13.76	15.06	13.86	15.17	13.96	15.28	14.06	15.39
Maximum Power Voltage -V _{mp} (V)	34.08	34.06	34.18	34.15	34.28	34.27	34.38	34.37	34.48	34.48	34.60	34.60
Maximum Power Current -I _{mp} (A)	12.92	14.14	13.03	14.26	13.13	14.37	13.24	14.49	13.34	14.60	13.44	14.71
Module Efficiency STC-η _m (%)	20.33		20.56		20.79		21.02		21.25		21.48	
Power Tolerance(W)	(0,+4.99)											

STC: Irradiance 1000 W/m² module temperature 25°C AM=1.5 Power measurement tolerance: +/-3%; Voltage measurement tolerance: +/-3%; Current measurement tolerance: +/-4%
 BNPI: front 1000 W/m² rear 135 W/m² Power measurement tolerance: +/-3%; Voltage measurement tolerance: +/-3%; Current measurement tolerance: +/-4%

Rear Side Power Gain(SRP-450-BMB-BG)

Power Gain	10%	15%	20%	25%	30%
Maximum Power -P _{mp} (W)	495	518	540	563	585
Open Circuit Voltage -V _{oc} (V)	41.32	41.32	41.32	41.32	41.32
Short Circuit Current -I _{sc} (A)	15.14	15.82	16.51	17.20	17.89
Maximum Power Voltage -V _{mp} (V)	34.28	34.28	34.28	34.28	34.28
Maximum Power Current -I _{mp} (A)	14.44	15.10	15.76	16.41	17.07

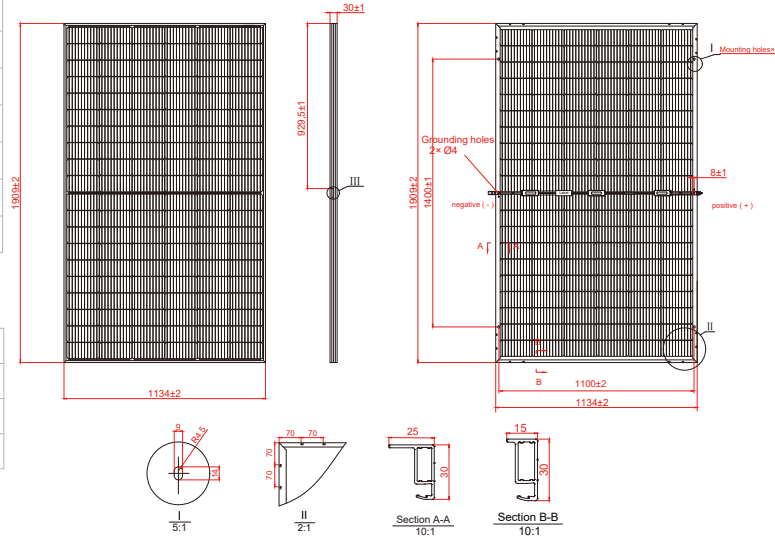
Temperature Ratings

Pmax Temperature Coefficient	-0.34 %/°C
Voc Temperature Coefficient	-0.26 %/°C
Isc Temperature Coefficient	+0.05 %/°C

Application Conditions

Maximum System Voltage	1500V DC
Maximum Series Fuse Rating	25 A
Operating Temperature	-40~+85 °C
Nominal Operating Cell Temperature	45±2 °C
Bifaciality	70%±10%
Mechanical Load	Front side 5400 Pa / Back side 2400 Pa

Technical drawing



I-V Curve

